


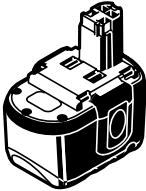

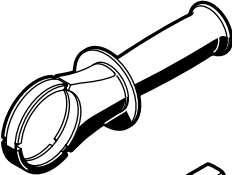
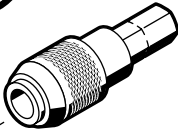



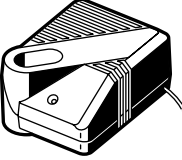

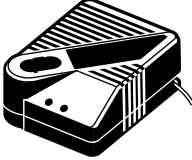

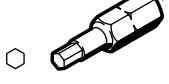
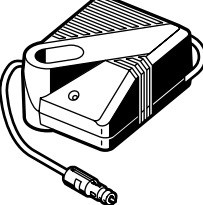


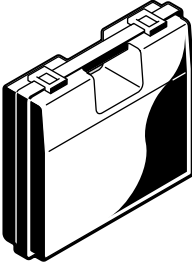
**GSR/GSB 12 VE-2
GSR/GSB 14,4 VE-2
GSR/GSB 18 VE-2
GSR/GSB 24 VE-2
PROFESSIONAL**

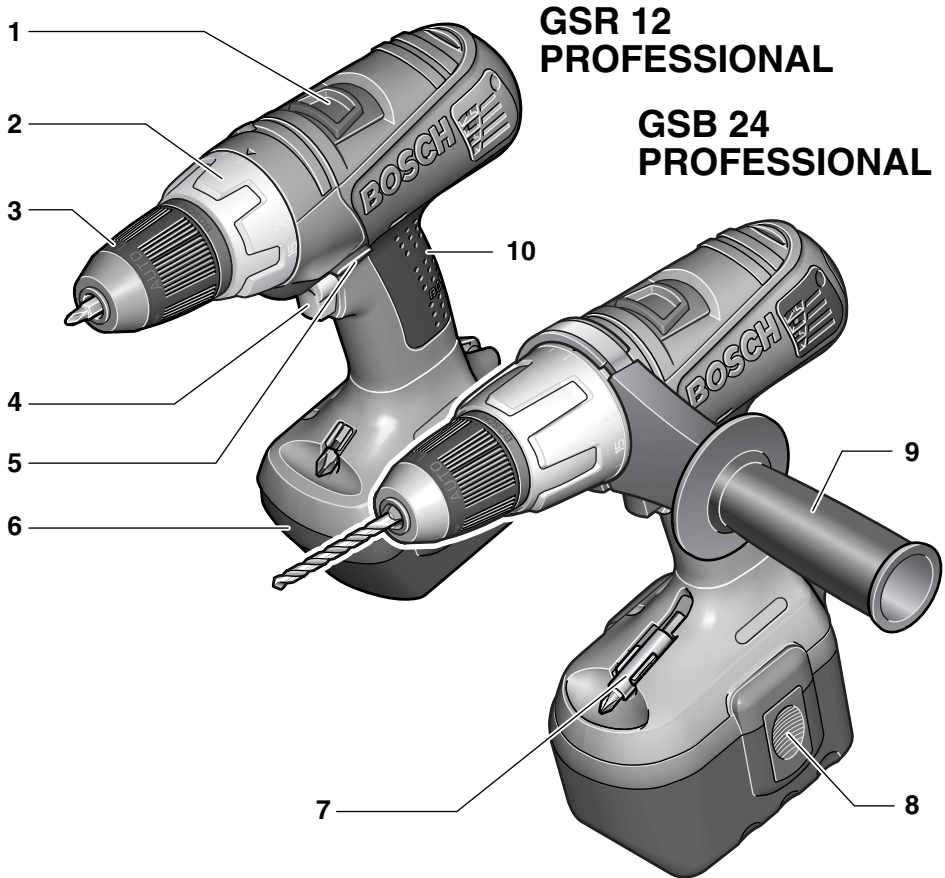


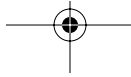
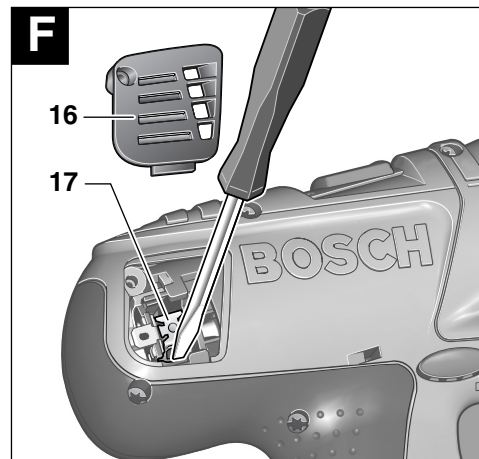
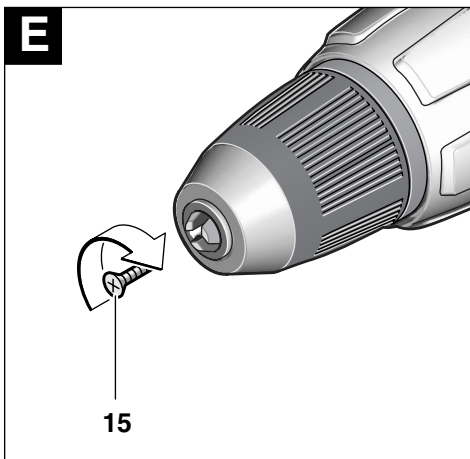
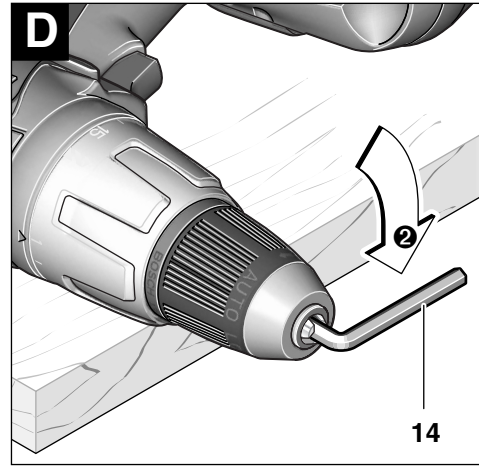
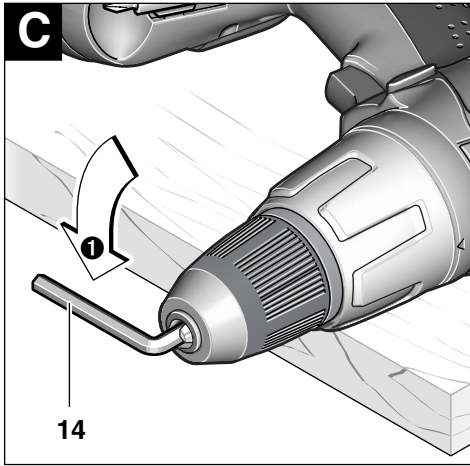
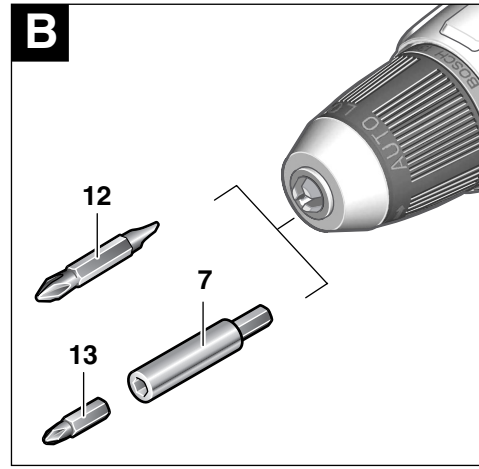
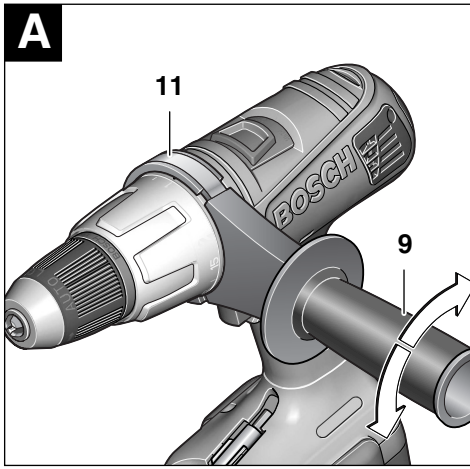
BOSCH

**Bedienungsanleitung
Operating instructions
Instructions d'emploi
Instrucciones de servicio
Manual de instruções
Istruzioni d'uso
Gebruiksaanwijzing
Betjeningsvejledning
Bruksanvisning
Brukerveiledningen
Käyttöohje
Οδηγία χειρισμού
Kullanım kılavuzu**



	2 608 572 182		2,0 Ah (NiCd) 2 607 335 266 (18 V) 2 607 335 446 (24 V)
	2 607 000 204		2,4 Ah (NiCd) 2 607 335 430 (12 V) 2 607 335 678 (14,4 V) 2 607 335 680 (18 V) 2 607 335 448 (24 V)
	GSB 12-24 VE-2 GSR 18 VE-2 GSR 24 VE-2 2 602 025 134		2,6 Ah (NiMH) 2 607 335 556 (12 V) 2 607 335 686 (14,4 V) 2 607 335 688 (18 V) 2 607 335 562 (24 V)
	2 607 000 205		3,0 Ah (NiMH) 2 607 335 488 (12 V) 2 607 335 694 (14,4 V) 2 607 335 696 (18 V) 2 607 335 510 (24 V)
	2 607 000 221* 0,8 x 5,5 mm		AL 1419 DV (7,2 V - 14,4 V) 2 607 224 440 (EU) 2 607 224 442 (UK) 2 607 224 444 (AUS)
	2 607 000 239* PH Nr. 2		AL 1450 DV (7,2 V - 14,4 V) 2 607 224 702 (EU) 2 607 224 704 (UK) 2 607 224 706 (AUS)
	2 607 000 248* PZ Nr. 2		AL 2450 DV (7,2 V - 24 V) 2 607 225 028 (EU) 2 607 225 030 (UK) 2 607 225 032 (AUS)
	2 607 000 258* T 20		AL 2498 FC (7,2 V - 24 V) 2 607 224 484 (EU) 2 607 224 486 (UK) 2 607 224 488 (AUS)
	2 607 000 317* SW 3 mm		AL 2422 DC (7,2 V - 24 V) 2 607 224 410 (EU/UK/AUS)
	*  3 x		
	GSB 12/14,4 VE-2 GSR 12/14,4 VE-2 2 605 438 535 GSB 18/24 VE-2 GSR 18/24 VE-2 2 605 438 536		





Tool Specifications

Cordless screwdriver GSR ... PROFESSIONAL		12 VE-2	14,4 VE-2	18 VE-2	24 VE-2
Article number	0 601 ...	912 5..	912 4..	912 3..	912 2..
Rated voltage	[V=]	12	14.4	18	24
No-load speed					
1st gear	[rpm]	0–400	0–400	0–400	0–400
2nd gear	[rpm]	0–1 400	0–1 400	0–1 300	0–1 300
Torque adjustment range	[Nm]	2–10	2–10	2–10	2–10
Max. torque for hard/soft screwdriving application according to ISO 5393	[Nm]	65/26	70/30	80/38	85/44
Maximum drilling Ø					
Steel	[mm]	13	13	13	16
Wood	[mm]	32	35	38	40
Screw diameter, max.	[mm]	8	10	12	14
Chuck clamping range	[mm]	1.5–13	1.5–13	1.5–13	1.5–13
Drill spindle thread		1/2"	1/2"	1/2"	1/2"
Weight according to EPTA-Procedure 01/2003	[kg]	2.3	2.5	2.7	3.0

Cordless impact drill and screwdriver GSB ... PROFESSIONAL		12 VE-2	14,4 VE-2	18 VE-2	24 VE-2
Article number	0 601 ...	913 5..	913 4..	913 3..	913 2..
Rated voltage	[V=]	12	14.4	18	24
No-load speed					
1st gear	[rpm]	0–500	0–500	0–500	0–500
2nd gear	[rpm]	0–1 700	0–1 750	0–1 800	0–1 800
Impact rate	[bpm]	0–21 000	0–21 000	0–21 000	0–21 000
Torque adjustment range	[Nm]	1.5–9	1.5–9	1.5–9	1.5–9
Max. torque for hard/soft screwdriving application according to ISO 5393	[Nm]	60/22	65/24	70/28	75/34
Maximum drilling Ø					
Steel	[mm]	13	13	13	16
Wood	[mm]	30	32	35	38
Brickwork	[mm]	10	12	14	16
Screw diameter, max.	[mm]	8	8	10	12
Chuck clamping range	[mm]	1.5–13	1.5–13	1.5–13	1.5–13
Drill spindle thread		1/2"	1/2"	1/2"	1/2"
Weight according to EPTA-Procedure 01/2003	[kg]	2.6	2.7	3.0	3.2

Please observe the article number on the type plate of your machine. The trade names of the individual machines may vary.

Machine Elements

The numbering of the machine elements refers to the illustration of the machine on the graphics page.

While reading the operating instructions, unfold the graphics page for the machine and leave it open.

- 1 Gear selector
- 2 Torque setting ring
- 3 Keyless chuck
- 4 On/Off switch
- 5 Rotational direction switch
- 6 Battery*
- 7 Universal bit holder*
- 8 Battery unlocking button
- 9 Auxiliary handle*
- 10 Soft grip
- 11 Clamping band*
- 12 Screwdriver blade*
- 13 Screwdriver bit*
- 14 Allen key*
- 15 Locking screw
- 16 Cover lid
- 17 Brush holder

* Not all of the accessories illustrated or described are included as standard delivery.

Intended Use

**GSR 12 VE-2/GSR 14,4 VE-2/GSR 18 VE-2/
GSR 24 VE-2:** The machine is intended for driving in and loosening screws as well as for drilling in wood, metal, ceramic and plastic.

**GSB 12 VE-2/GSB 14,4 VE-2/GSB 18 VE-2/
GSB 24 VE-2:** The machine is intended for driving in and loosening screws, for drilling in wood, metal, ceramic and plastic and for impact drilling in brick, concrete and stone.



For Your Safety

Read all instructions. Failure to follow all instructions listed below may result in electric shock, fire and/or serious injury.

Additionally, the general safety instructions either in the enclosed booklet or those added in the centre of these operating instructions must be observed.

SAVE THESE INSTRUCTIONS.

- **Secure the workpiece.** A workpiece clamped with clamping devices or in a vice is held more securely than by hand.
- **Before any work on the machine (e.g. maintenance, tool change, etc.) as well as when transporting and storing, always set the rotational direction switch to the centre position.** Unintentional actuating of the On/Off switch may result in personal injury.
- **Do not open the battery yourself.** There is danger of a short circuit.
- **Protect the battery from heat and fire.** There is danger of explosion.
- **Hold the machine with a firm grip.** High reaction torque can briefly occur while driving in and loosening screws.

GSB 12 VE-2/GSB 14,4 VE-2/ GSB 18 VE-2/GSB 24 VE-2:

- **Wear hearing protection when working with impact drills.** Exposure to noise can cause hearing loss.
- **Use appropriate detectors to determine if utility lines are hidden in the work area or call the local utility company for assistance.**
Contact with electric lines can lead to fire and electric shock. Damaging a gas line can lead to explosion. Penetrating a water line causes property damage.
- **Hold the machine only by the insulated gripping surfaces, when performing an operation where the cutting tool may run into hidden wiring.** Contact with a "live" wire will make exposed metal parts of the tool "live" and shock the operator.

GSB 18 VE-2/GSB 24 VE-2/ GSR 18 VE-2/GSR 24 VE-2:

- **Always use the auxiliary handle supplied with the machine.** Loss of control can cause personal injury.
- **When working with the machine, always hold it firmly with both hands and provide for a secure stance.** The power tool is guided more secure with both hands.

Before Putting into Operation

Battery Charging

A battery that is new or has not been used for a longer period does not develop its full capacity until after approximately 5 charging/discharging cycles.

To remove the battery **6**, press the unlocking buttons **8** and pull out the battery downwards. Do not exert any force.

The battery is equipped with an NTC temperature control which allows charging only within a temperature range of between 0 °C and 45 °C. A long battery service life is achieved in this manner.

A significantly reduced working period after charging indicates that the batteries are used and must be replaced.

- Observe the notes on environmental protection.

Auxiliary Handle (see figure **A**) (GSB 12–24 VE-2/ GSR 18–24 VE-2)

Loosen the handle by turning to the left. Rotate the auxiliary handle **9** and adapt to the working position. Make sure that the clamping band **11** of the auxiliary handle remains in the groove.

Afterwards tighten the handle again by turning in clockwise direction.

Changing the Tool

Open the drill chuck **3** by turning until the tool can be inserted. Insert the tool.

Firmly tighten the sleeve of the keyless chuck **3** by hand until the locking action ("click") is no longer heard. This automatically locks the chuck.

Rotate the sleeve in the reverse direction to remove the tool.

Screwdriving (see figure **B**)

Insert the screwdriver blade **12** directly into the tool holder or when using screwdriver bits **13**, additionally use the universal bit holder **7**.

Starting Operation

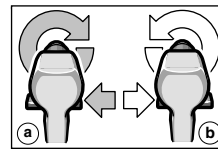
Inserting the Battery

- Use only original Bosch O-pack batteries with the voltage given on the type plate of your machine.

Set the rotational direction switch **5** to the centre position = lock-off and allow the charged battery **6** to engage into the handle.

Reversing the Rotational Direction

! Operate the rotational direction switch **5** only at a standstill.



The rotational direction switch **5** is used to reverse the rotational direction of the machine. However, this is not possible with the On/Off switch **4** actuated.

Right Rotation (**a**)

Turn the rotational direction switch through to the left stop (normal operation: drilling, screwdriving, etc.).

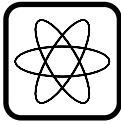
Left Rotation (**b**)

Press the rotational direction switch through to the right stop (for loosening and unscrewing screws and nuts).



Switching On and Off

To **start** the machine, press the On/Off switch **4** and keep it depressed.



The machine runs with variable speed between 0 and maximum, depending on the pressure applied to the On/Off switch **4**. Light pressure results in a low rotational speed thus allowing smooth, controlled starts. Do not strain the machine so heavily that it comes to a standstill.

To **switch off** the machine, release the On/Off switch **4**.

Run-on Brake

When releasing the On/Off switch **4** the speed of the drill chuck is reduced to a stop, thus preventing the run-on of the tool.

For screwdriving applications, wait until the screw is flush with the material and then release the On/Off switch **4**. The screw head does not penetrate into the material then.

Gear Selection, Mechanical

Two speed ranges can be preselected with the gear selector **1**:

- 1st gear: Low rotational speed, high power.
- 2nd gear: High rotational speed, less power.

The gear setting can be changed while the machine is running, however, not while under load. It is recommended to carry out the switching while the machine is at a standstill. If the gear selector **1** cannot be slid into the end position while the machine is at a standstill, turn the chuck somewhat or briefly press the On/Off switch **4**.

Fully Automatic Spindle Locking (Auto-Lock)

The drill spindle is locked when the On/Off switch **4** is not pressed.

This makes quick and easy changing of the tool in the drill chuck possible.

The locked drill chuck enables retightening of projecting screws by using the switched-off machine as a screwdriver.

Setting the Torque

Carry out a practical test to determine with which of the 15 settings of the torque setting ring **2** the screws are driven flush into the material.

1 Low setting, e. g., small screws, soft materials.

15 High setting, e. g., large screws, hard materials.

With the correct setting, the clutch disengages as soon as the screw is driven flush into the material or the set torque is reached. Select a higher setting when driving out screws, or set to the "Drilling" symbol.

Drilling and Impact Drilling



Drilling

Set the torque setting ring **2** to the "Drilling" symbol.



Hammer Drilling

(GSB 12 VE-2/GSB 14,4 VE-2/
GSB 18 VE-2/GSB 24 VE-2)

Set the torque setting ring **2** to the "Hammer Drilling" symbol.

Replacing the Drill Chuck

The locking screw **15** secures the drill chuck against loosening from the drill spindle. Fully open the drill chuck and completely unscrew the locking screw **15** by turning in clockwise direction (see figure **E**).

Loosening the Drill Chuck (see figure **C**)

Place the machine on a stable surface (e. g. workbench). Hold the machine firmly and loosen the chuck by turning to the left, as when unscrewing a screw (⊖). Loosen a tight chuck by giving the long end of the Allen key **14** a sharp blow.

Tightening the Drill Chuck (see figure **D**)

The drill chuck is mounted in reverse order (⊕).

Operating Instructions

- **Apply the power tool to the screw/nut only when it is switched off.**
- Use only screwdriver bits that fit properly in the head of the screw.
- When driving in larger and/or longer screws in hard material, it is advisable to drill a pilot hole first.
- For drilling in metal, use only perfectly sharpened HSS drill bits. The appropriate quality is guaranteed by the Bosch accessories program.

Soft Grip

The gripping surface **10** (soft grip) reduces the danger of slipping and thereby improves the grip on the machine and the handling.

At the same time, the rubber coating achieves a vibration-reducing effect.

Maintenance and Cleaning

- For safe and proper working, always keep the machine and its ventilation slots clean.

Carbon Brush Replacement (see figure **F**)

When the brushes are worn, the power tool switches off automatically. For replacement of the carbon brushes, loosen the screws and remove the cover lids **16**. Insert a screwdriver or similar into the notch of the brush holder **17** and carefully pry it out. Remove the used carbon brush and replace. The new carbon brush can also be inserted when turned by 180°. Lightly press down the new carbon brush until it clicks. Afterwards mount the cover lids **16** again.

If the machine should fail despite the care taken in manufacturing and testing procedures, repair should be carried out by an authorized after-sales service agent for Bosch power tools.

In all correspondence and spare parts orders, please always include the 10-digit article number given on the nameplate of the machine.

Disposal

Power tools, accessories and packaging should be sorted for environmental-friendly recycling.

Only for EC countries:

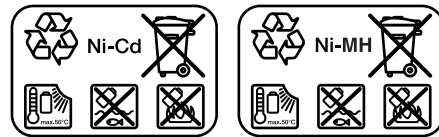


Do not dispose of power tools into household waste!

According to the European Directive 2002/96/EC on waste electrical and electronic equipment and its incorporation into national law, power

tools that are no longer suitable for use must be separately collected and sent for recovery in an environmental-friendly manner.

Battery packs/batteries:



Ni-Cd: Nickel-cadmium

Warning: These battery packs contain cadmium, a highly-toxic heavy metal.

Ni-MH: Nickel-metal hydride

Do not dispose of battery packs/batteries into household waste, water or fire. Battery packs/batteries must be collected, recycled or disposed of in an environmentally-friendly way.

Only for EC countries:

Defective or dead batteries must be recycled according to the directive 91/157/EEC.

Batteries no longer suitable for use can be directly returned at:

Great Britain

Robert Bosch Ltd. (B.S.C.)
P.O. Box 98
Broadwater Park
North Orbital Road
Denham-Uxbridge
Middlesex UB 9 5HJ

☎ Service..... +44 (0) 18 95 / 83 87 82

☎ Advice line..... +44 (0) 18 95 / 83 87 91

Fax..... +44 (0) 18 95 / 83 87 89

Noise/Vibration Information

Measured values determined according to EN 60 745.

GSR 12 VE-2/GSR 14,4 VE-2/GSR 18 VE-2/ GSR 24 VE-2

Typically the A-weighted sound pressure level of the product is less than 70 dB (A).

The noise level when working can exceed 85 dB (A).

Wear hearing protection!

The typical hand/arm vibration is below 2.5 m/s².

GSB 12 VE-2/GSB 14,4 VE-2/GSB 18 VE-2/ GSB 24 VE-2

Typically the A-weighted noise levels of the machine are: sound pressure level 86 dB (A); sound power level 97 dB (A). Measurement uncertainty K = 3 dB.

Wear hearing protection!

The typically weighted acceleration is 11 m/s².

Service and Customer Assistance

Exploded views and information on spare parts can be found under:
www.bosch-pt.com

Great Britain

Robert Bosch Ltd. (B.S.C.)
P.O. Box 98
Broadwater Park
North Orbital Road
Denham-Uxbridge
Middlesex UB 9 5HJ

☎ Service..... +44 (0) 18 95 / 83 87 82
☎ Advice line..... +44 (0) 18 95 / 83 87 91
Fax..... +44 (0) 18 95 / 83 87 89

Ireland

Beaver Distribution Ltd.
Greenhills Road
Tallaght-Dublin 24

☎ Service..... +353 (0)1 / 414 9400
Fax..... +353 (0)1 / 459 8030

Australia and New Zealand

Robert Bosch Australia Pty. Ltd.
RBAU/SPT
1555 Centre Road
P.O. Box 66
3168 Clayton/Victoria

☎ +61 (0)1 / 3 00 30 70 44
Fax..... +61 (0)1 / 3 00 30 70 45

www.bosch.com.au

CE Declaration of Conformity

We declare under our sole responsibility that this product is in conformity with the following standards or standardization documents: EN 60 745 according to the provisions of the directives 89/336/EEC, 98/37/EC.

Dr. Egbert Schneider
Senior Vice President
Engineering

Dr. Eckerhard Strötgen
Head of Product
Certification

Egbert Schneider *Eckerhard Strötgen*

Robert Bosch GmbH, Geschäftsbereich Elektrowerkzeuge

Subject to change without notice