



YANMAR

MINI-EXCAVATOR

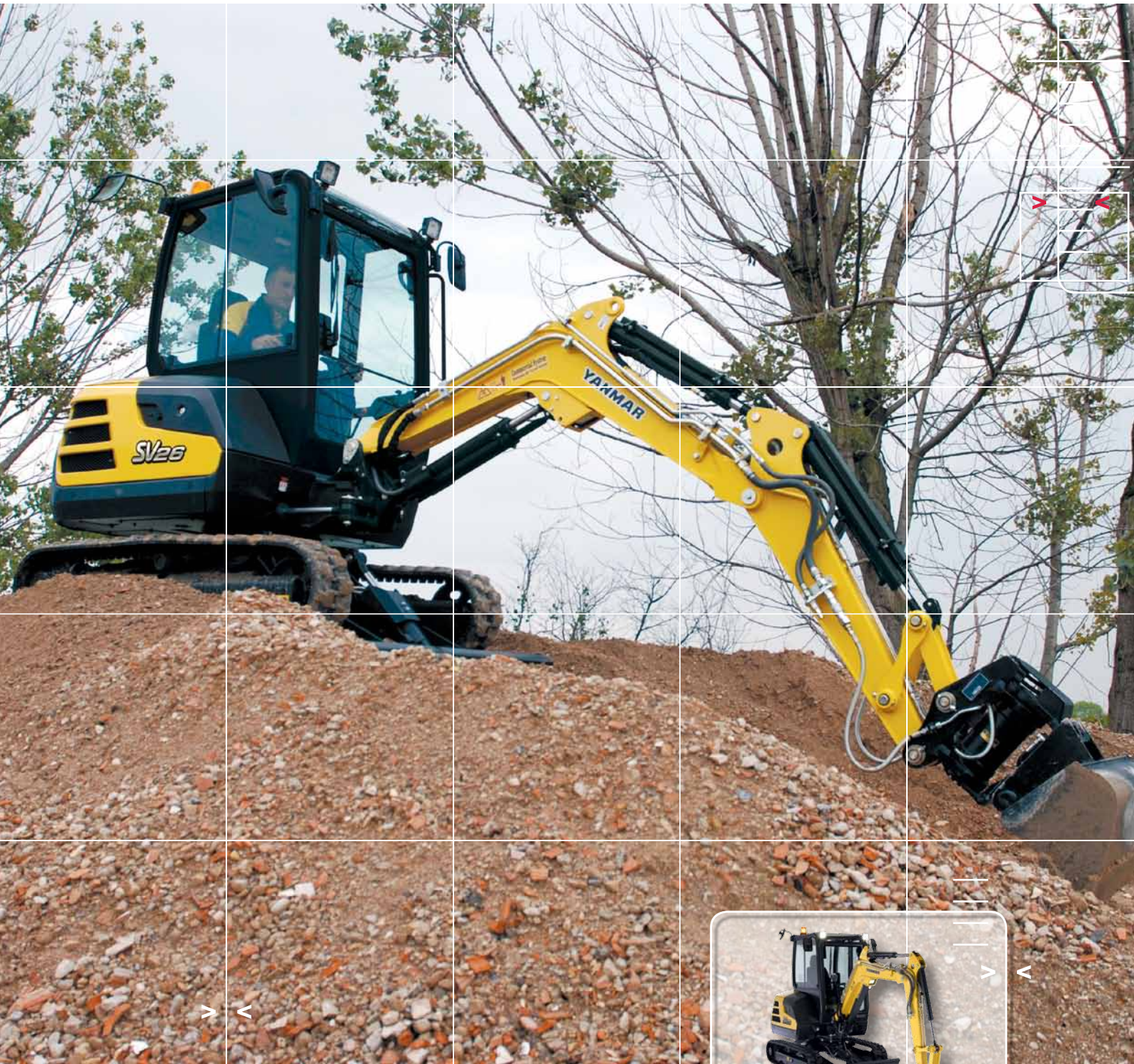


Equipment Ltd

01789 414525 | sales@aandygroup.com | www.aandygroup.com

SV26

2535/2785 kg



SV26



> COMPACTNESS

The SV26 has been designed to meet all your requirements, and this while executing the most complicated jobs. Compact and lightweight, it can easily be transported on a trailer. Its stability and power enable it to work effectively regardless of the difficulty of your jobsite. The SV26 is intended for a wide range of applications such as urban renewal, grading or landscaping.



THE IDEAL PARTNER FOR WORK IN CONFINED SPACES

The SV26 has excellent performance in a compact package. It is ideal for urban work (no obligation to block 2 traffic lanes) and for landscaping. Its low ground pressure provides excellent efficiency on all types of terrain and decreases soil degradation.



Compact size for easy transport

The transportation weight is only 2600 kg* (5732 lb) and its very compact undercarriage enables the SV26 to be transported with its accessories on a trailer.

* Cab version rubber tracks





HIGH PERFORMANCE <

Based on our unique experience and expertise, Yanmar technology ensures excellent performance while respecting the environment. The optimal combination of the SV26 excavation strengths and its work cycles assures exceptional productivity.

IMPRESSIVE POWER AND PERFORMANCE

A powerful engine that remains respectful of the environment

The YANMAR TNV direct injection engine has been designed to combine high power and cleaner emissions. With its sophisticated injection system, it meets the European Commission (EC) emission standards. Its quiet operation makes this engine friendly to people and the environment.

Reduced fuel consumption

The SV26 consumes less than 4 litres per hour. This consumption can be further reduced by installing an optional Auto - Idling System which turns down the engine speed to idle when the machine has not been used for more than 4 seconds, then accelerates automatically when needed.



VIPPS® Hydraulic system (3 pump progressive ViO system)

The SV26 has a hydraulic circuit with power summation regulation equipped with 2 variable flow piston pumps, a gear pump and a multiple combination directional control valve. Pumps engage automatically depending on the operation being performed, providing greater ease of use for the operator. On the one hand, the cumulative flow of the pumps allows increasing the speed of work and on the other hand, the system allows smooth and simultaneous operations, even while travelling.

Auxiliary hydraulics come standard

A proportional control auxiliary line allows the use of many accessories such as a hammer or an auger. The oil flow rate is adapted to the use of each device. The operator thus has a perfect mastery of the accessories.



Options such as the 2nd auxiliary line and the installation of a potentiometer are available for greater flexibility of use and increased versatility of the machine.



> COMFORT

Designed to meet the operator needs, the SV26 cab is large and pleasant. The attention paid to the work environment and ergonomics makes you feel comfortable during long days on jobsite. This spacious cabin is equipped with many advanced devices to make your work more efficient.

ABSOLUTE COMFORT ASSURED

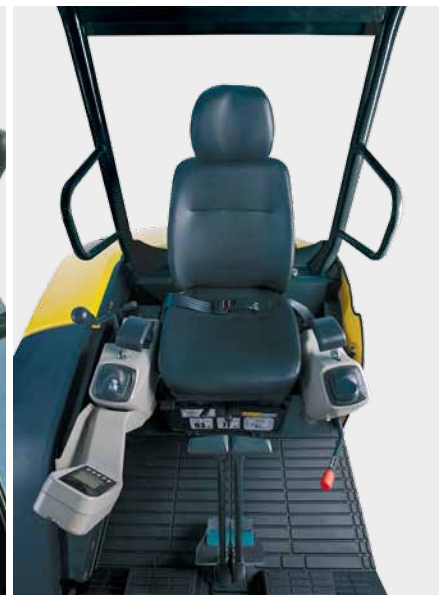
Large and comfortable cabin

The SV26 cab interior is very spacious for maximum freedom of movement. The large legroom allows the operator to work comfortably for long hours. The entrance, which is also very large, provides easy cab access and exit.

The standard SV26 seat has a comfortable suspension with multiple adjustments and is equipped with a headrest to reduce operator stress and fatigue.

Excellent air circulation

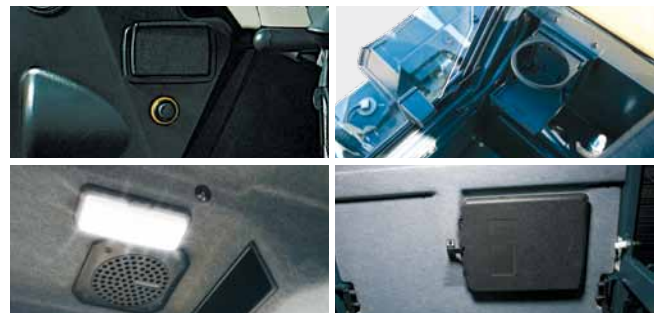
The SV26 has a heater that can work at a pleasant temperature in extreme weather conditions. The vents are placed to ensure a uniform temperature within the cabin and ensure a perfect window demisting.



USER FRIENDLY

The SV26 cab interior architecture has been studied to improve the operator driving position and to facilitate his work, particularly on the long and challenging work sites. The wrist supports are adjustable. The wide travel pedals and hydraulic control levers are fluid and easy to use. The second gear control knob is located on the blade lever.

Ideally located, the control levers offer exceptional movement precision. To optimize control and ergonomics, all work controls are located on the machine's right console.



Standard equipment also includes: several handrails, numerous storage spaces, an automatic ceiling light, a bottle holder, 2 x 12V external sockets, one cigarette lighter, one ashtray, a coat rack, a lockable document box...



SECURITY <

Because one is more effective in a safe and secure environment, the safety of the operator and the people working around the machine is one of our priorities. The SV26 has many facilities that allow you to work with full confidence.



SAFETY LEVER TO ACCESS THE OPERATING SPACE

The canopy and the cabin conform to ISO standards

The use of a very rigid and high resistance ROPS structure for the cab enhances operator safety in a roll-over. The canopy and cab also conform to FOPS1 standards (concerning structures protecting against falling objects) and TOPS.

OPTIMUM VISIBILITY FOR EFFICIENT AND SAFE WORK

The large cab windows and the shape of the SV26 covers offer the operator a perfect view. The front windshield is divided into two parts with its top part retractable. The side windows on the right side. This excellent visibility ensures optimal job site safety and reduces the risk of damaging the machine, especially in tight spaces or congested job sites. The transparent front part of the roof offers perfect control during loading and demolition operations.

The SV26 is equipped with 3 rear and side view mirrors. The operator can control the work area as well as the area around the machine without moving from his seat.

In order to work efficiently and accurately in darkness, the SV26 comes with a standard LED light positioned in the lower part of the boom, where it is protected from shocks. The LED technology provides a powerful light while reducing energy consumption and increasing the life of the battery.



A beacon and 3 additional LED lamps can optionally be added on the cab.

Digital interface: for better control of the machine and greater productivity

The SV26 is equipped with a digital interface that informs the operator in real time on the status of his machine. Perfectly integrated into the right-hand console, the 3.3" screen provides excellent visibility in bright sunlight or at night. This interface allows you to manage working time, daily maintenance operations and to program interventions. It provides useful information on the operation of the machine, such as engine oil and coolant temperatures or fuel level and stores the important events.

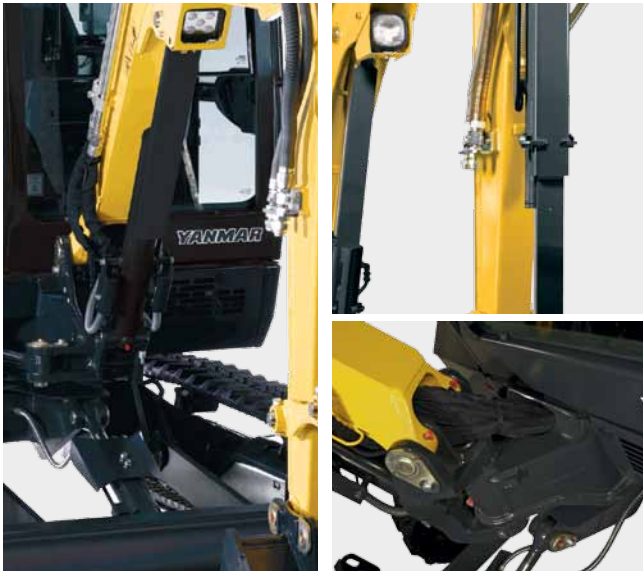
It also warns the operator in case of malfunctioning of the machine (insufficient battery charge, abnormal oil pressure...).





> MAINTENANCE AND RELIABILITY

The SV26 perfectly meets the reputation for quality and durability of the Yanmar machines. The excellent accessibility to components and speed of maintenance and cleaning operations allow achieving excellent levels of onsite availability. Assured of his machine's performance, the operator can calmly work.



DESIGNED TO LAST

The structure of the undercarriage, as well as the durable steel covers, provide foolproof resistance for the chassis. A large counterweight protects against possible shocks and friction against the walls. The hoses are protected with abrasion-resistant sleeves. Their routing on the top of the boom and on the right side of the machine is particularly thought through to avoid the risk of torsion and limiting machine down time. The connections of the cylinders to the blade and the boom are fully protected by steel plates. The cylinders are optionally reinforced by spring steel cover plates. Cataphoresis treatment of the steel parts provides excellent resistance to corrosion for the paint. Form stringers prevent the accumulation of soil and reduce the internal track wear.

Finally, the machine operating temperature has been reduced considerably, contributing to extending the life of the SV26 components.

EASY MAINTENANCE

Accessibility to service points has been simplified to reduce the maintenance time and cost. The rear and side covers, the panel under the seat and the removable floor provide direct access to the battery, the alternator, the auxiliary circuit selector valve and the electrical components. The blade cylinder flexible is made of two parts for quick replacement in case of perforation.

The engine oil replacement frequency is 500 hours to increase the time between scheduled maintenance.





YANMAR SERVICES



Our distributors provide you all the solutions you need: advice tailored to your situation, including full-service contracts, spare parts and maintenance.

> FINANCING

The **Y-Finance*** solutions guarantee the most competitive interest rates and help you determine the financing plan that best suits your needs.

* The offerings vary by country.

> WARRANTY

All new Yanmar excavators sold through our authorized network in Europe are protected for 12 months (or 1,000 hours, whichever comes first) by a manufacturer's warranty with an extension of 12 months (or 1,000 hours) for the drive train. We go further by proposing extended warranty contracts "Garantie PLUS" that offer various solutions for long-term coverage.

> PARTS

The original Yanmar parts are designed, tested and manufactured to ensure optimal quality and safety. By systematically using original spare parts, you can be sure to maintain the performance of your machine and avoid future costly repairs due to inadequate parts. You are sure that your machine is kept in perfect condition and you ensure a high resale value.

Original Yanmar parts can be delivered within 24 hours.

> MAINTENANCE

Proximity, speed, quality and reliability are constant concerns for Yanmar dealers. We are committed to your peace of mind and we are committed to your satisfaction. The network of authorized Yanmar repair sites is present in all European countries. You can always find nearby mechanics trained and qualified to care for your machine. Authorized repairers provide contracts and routine maintenance services, perform emergency repairs and provide you with advice adapted to your needs.



> EQUIPMENT

> STANDARD EQUIPMENT

Engine

- Yanmar water-cooled diesel
- Meets EC standards
- Direct Injection

+

Hydraulic system

- VIPPS Hydraulic system (ViO progressive 3 pump system)
- 1 auxiliary circuit with proportional control
- 2nd speed
- Hydraulic oil gauge

+

Cabin

- LCD Interface
- Cab mounted on viscoelastic rubber blocks
- Fabric covered, adjustable and reclining seat on suspension with headrest
- Adjustable wrist support
- Foot rests
- Wide travel pedals
- Windshield in 2 parts (retractable upper part)

- Double sliding right side window
- Transparent upper front part
- Wipers
- Windshield washer
- Automatic ceiling lamp
- 2 x 12V outlets
- Storage boxes
- Lockable document storage
- Cup Holder

+

Undercarriage

- 4 anchor points
- Blade cylinder supply hose into two parts

+

Safety

- Handrails
- Safety lever
- Safety belt
- Hammer for evacuation
- 3 mirrors
- Horn

Lighting

- 1 LED light integrated into the boom

+

Miscellaneous

- Fuel gauge
- Protection of the blade and boom cylinders
- Hoses protected by abrasion-resistant sleeves.
- Cataphoresis treated steel parts
- Locking Covers
- Tool kit
- Grease pump

OPTIONAL EQUIPMENT

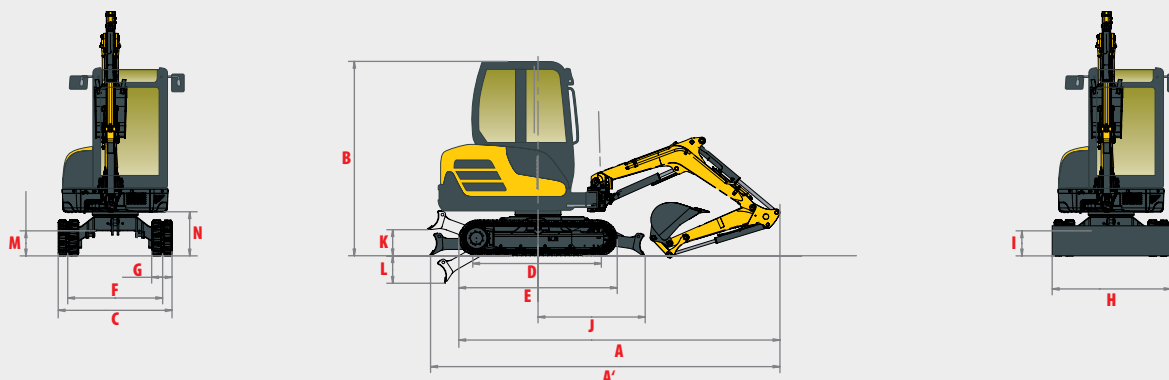
Special paint | Bio oil | Safety valves for lifting + overload warning | Long arm | 2nd auxiliary circuit with proportional control | Potentiometer | Quick Connects | Auto-idling system | Anti-theft device (Key/Keypad) | Centralised lubrication | Skai fabric seat | Radio | Additional counterweight (+ 100 kg) | Enhanced protection of cylinders | Travel alarm | 2 LED head lights on the front of the machine | 1 LED light + beacon to the rear of the machine

ACCESSORIES

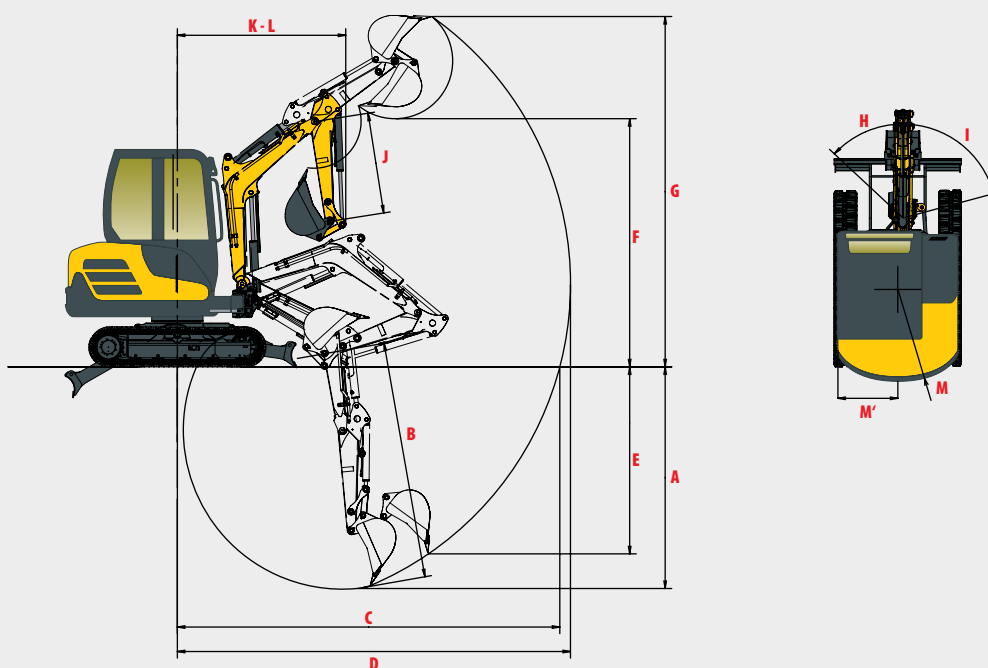
Yanmar gives you the accessories that fit your needs and match the safety standards in force in your country: mechanical quick coupler, hydraulic quick coupler, ditching bucket, swinging bucket, backhoe bucket, hydraulic hammer..



DIMENSIONS <



A » Overall length	4250 / 4295* mm	H » Overall blade width	1500 mm
A' » Overall length with blade at the back	4470 / 4515* mm	I » Overall blade height	280 mm
B » Overall height	2435 mm	J » Blade distance	1380 mm
C » Overall width	1500 mm	K » Max. blade height above the ground	300 mm
D » Length of track on ground	1550 mm	L » Max. lowering blade depth	350 mm
E » Undercarriage length	2030 mm	M » Minimum ground clearance	320 mm
F » Lane	1250 mm	N » Ground clearance under counterweight	540 mm
G » Track width	250 mm		



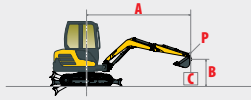
A » Max. digging depth - Blade lifted	2595 / 2845* mm	H » Boom swinging base to left	45°
B » Max. digging depth - Blade lowered	2735 / 2995* mm	I » Boom swinging base to right	75°
C » Max. digging reach on ground	4400 / 4580* mm	J » Arm length	1150 / 1400* mm
D » Max. digging reach	4510 / 4695* mm	K » Minimum front swing radius	1900 / 1960* mm
E » Max vertical wall	2245 / 2455* mm	L » Minimum front swing radius with boom swing	1600 / 1655* mm
F » Max. dumping height	2835 / 2995* mm	M » Rear swing radius	1160 mm
G » Max. cutting height	3995 / 4130* mm	M' » Rear swing radius with additional counterweight	1240 mm

* With long arm.

Subject to technical modifications. Dimensions in mm with specific Yanmar bucket.



> LIFTING FORCE



Tipping load, rating over front



Tipping load, rating over side 90°

Standard arm, standard counterweight

Cabin		Blade above ground										Canopy		Blade above ground											
Blade on ground		Max.	3.5 m	3 m	2.5 m	2 m							Max.	3.5 m	3 m	2.5 m	2 m								
A	B	← →		← →		← →		← →		← →		← →		← →		← →		← →		← →		← →		← →	
2.5 m	*515	*515	-	-	*525	*525	-	-	-	-	-	-	405	*515	-	-	*525	*525	-	-	-	-	-	-	-
2 m	415	*535	*530	*530	*560	*560	*570	*570	-	-	-	-	375	*535	*530	*530	*560	*560	*570	*570	-	-	-	-	-
1 m	375	*545	420	*590	525	*695	700	*815	890	*1040	340	*545	380	*590	475	*695	635	*815	800	*1040	330	*365	380	375	*610
0 m	380	*580	415	*610	510	*760	660	*935	920	*1335	340	*580	375	*610	465	*760	595	*935	835	*1335	335	*370	365	405	450
-1 m	430	*580	-	-	505	*610	645	*830	930	*1105	385	*580	-	-	455	*610	580	*830	840	*1105	385	*515	-	-	450
-1.5 m	*540	*540	-	-	-	-	*580	*580	*785	*810	410	*540	-	-	-	-	440	*580	570	*810	410	*540	-	-	440

Long arm, standard counterweight

Cabin		Blade above ground										Canopy		Blade above ground											
Blade on ground		Max.	3.5 m	3 m	2.5 m	2 m							Max.	3.5 m	3 m	2.5 m	2 m								
A	B	← →		← →		← →		← →		← →		← →		← →		← →		← →		← →		← →		← →	
2.5 m	*455	455	*465	*465	*435	*435	-	-	-	-	-	-	365	*455	*465	*465	-	-	-	-	-	-	-	-	-
2 m	370	*470	*470	*470	*480	*480	-	-	-	-	-	-	330	*470	*470	*470	*480	*480	-	-	-	-	-	-	-
1 m	340	*490	425	*545	*620	*620	*770	*770	*1050	*1050	310	*490	385	*545	480	*620	*770	*770	*1050	*1050	300	350	375	420	470
0 m	345	*520	400	*590	505	*730	650	*920	885	*1320	310	*520	360	*590	455	*730	585	*920	800	*1320	310	355	365	405	450
-1 m	385	*545	-	-	490	*610	630	*835	890	*1110	345	*545	-	-	445	*610	570	*835	800	*1110	340	430	-	-	440
-1.5 m	*560	*560	-	-	-	-	*645	*645	*830	*830	405	*560	-	-	-	-	510	*645	630	*830	400	*565	-	-	505

Standard arm, additional counterweight

Cabin		Blade above ground										Canopy		Blade above ground											
Blade on ground		Max.	3.5 m	3 m	2.5 m	2 m							Max.	3.5 m	3 m	2.5 m	2 m								
A	B	← →		← →		← →		← →		← →		← →		← →		← →		← →		← →		← →		← →	
2.5 m	*515	*515	-	-	*525	*525	-	-	-	-	-	-	515	*515	-	-	*525	*525	-	-	-	-	-	-	-
2 m	*535	*535	*530	*530	*560	*560	*570	*570	-	-	-	-	425	*535	*530	*530	*560	*560	*570	*570	-	-	-	-	-
1 m	410	*545	*590	*590	*695	*695	*815	*815	*1040	*1040	385	*545	435	*590	540	*695	720	*815	916	*1040	380	440	430	515	530
0 m	460	*580	470	*610	575	*760	735	*935	1035	*1335	390	*580	425	*610	525	*760	680	*935	951	*1335	385	560	415	460	510
-1 m	485	*580	-	-	570	*610	735	*830	1000	*1105	445	*580	-	-	505	*610	665	*830	*930	*1105	440	530	-	-	520
-1.5 m	*540	*540	-	-	-	-	*580	*580	*810	*810	470	*540	*540	-	-	-	580	*810	810	*810	470	*540	-	-	580

Long arm, additional counterweight

Cabin		Blade above ground										Canopy		Blade above ground											
Blade on ground		Max.	3.5 m	3 m	2.5 m	2 m							Max.	3.5 m	3 m	2.5 m	2 m								
A	B	← →		← →		← →		← →		← →		← →		← →		← →		← →		← →		← →		← →	
2.5 m	*455	*455	*465	*465	*435	*435	-	-	-	-	-	-	395	*455	*465	*465	-	-	-	-	-	-	-	-	-
2 m	*470	*470	*470	*470	*480	*480	-	-	-	-	-	-	380	*470	*470	*470	*480	*480	-	-	-	-	-	-	-
1 m	385	*490	*545	*545	*620	*620	*770	*770	*1050	*1050	355	*490	435	*545	545	*620	*770	*770	*1050	*1050	345	395	430	475	540
0 m	390	*520	460	*590	570	*730	730	*920	1000	*1320	358	*520	410	*590	520	*730	670	*920	910	*1320	355	400	415	460	515
-1 m	*545	*545	-	-	530	*610	700	*835	915	*1110	400	*545	-	-	510	*610	655	*835	915	*1110	395	485	-	-	500
-1.5 m	*560	*560	-	-	-	-	710	*645	980	*830	470	*560	-	-	-	-	545	*645	745	*830	465	*560	-	-	540

The data contained in these tables represent the lifting capacity in accordance with ISO standard 10567. They don't include the weight of the bucket and correspond to 75% of the maximum static tipping load or 87% of the hydraulic lifting power. Data marked * are the hydraulic limits of the lifting power.



SPECIFICATIONS <

| WEIGHT +/- 2% (CE STANDARDS)



	Cabin		Canopy	
Operating weight (rubber tracks)	2675 kg	0.33 kg/cm ²	2535 kg	0.30 kg/cm ²
Transport weight (rubber tracks)	2600 kg	0.33 kg/cm ²	2460 kg	0.30 kg/cm ²
With steel tracks	+ 110 kg	0.34 kg/cm ²	+ 110 kg	0.32 kg/cm ²
With additional counterweight	+ 100 kg	0.34 kg/cm ²	+ 100 kg	0.31 kg/cm ²

| ENGINE

Type	3TNV82A-BPBVA
Fuel	Diesel
Net Power	17.6 kW / 23.9 HP / 2400 rpm
Gross Power	18.1 kW / 24.8 HP / 2400 rpm
Displacement	1331 cm ³
Maximum torque	85.5 N.m. / 1400 rpm
Cooling	Liquid
Starter	2.3 kW
Battery	12 V – 56 Ah
Alternator	12 V - 40 A

| HYDRAULIC SYSTEM

Maximum pressure	210 bar
1 double piston pump with variable flow	2 x 32.4 l/min
1 gear pump	21.6 l/min
1 gear pump trochoid	10.8 l/min

PTO	Theoretical data at 1900 rpm	
	Pressure	Oil flow
	0 ~ 210 bar	56 ~ 15 l/min
	0 ~ 210 bar	56 ~ 15 l/min



Oil flow reduces as the pressure increases

| PERFORMANCE

Travel speed	2.9 / 4.8 km/h
Rotation speed	10.2 rpm
Digging force (arm)	14.5 kN (1500 kgf) / 12.7 kN with long arm
Digging force (bucket)	24.5 kN (2500 kgf)
Traction force	37 kN
Grade ability	30°
Noise level (2000/14/CE & 2005/88/CE)	76 dB(A) / 94 dB(A) (LwA)

| UNDERCARRIAGE

Number of top rollers	1
Number of bottom rollers	3
Track tensioning system	Using grease pump

| CAPACITIES

Fuel tank	38.5 l
Coolant	3.8 l
Engine oil	3.7 l
Hydraulic circuit	30 l
Hydraulic tank	25.2 l

MAINTENANCE FREQUENCY

Change engine oil and filter: **500 hours** | Change fuel filter: **250 hours** | Change hydraulic oil filter: **1000 hours** |
Change hydraulic oil filter: **1000 hours** | Change cooling fluid: **1000 hours**



YANMAR



Printed in France – Materials and specifications are subject to change from the manufacturer without notice – Please contact your local Yanmar Construction Equipment Europe dealer for further information.

A&Y Equipment Ltd
01789 414525 | sales@aandygroup.com | www.aandygroup.com