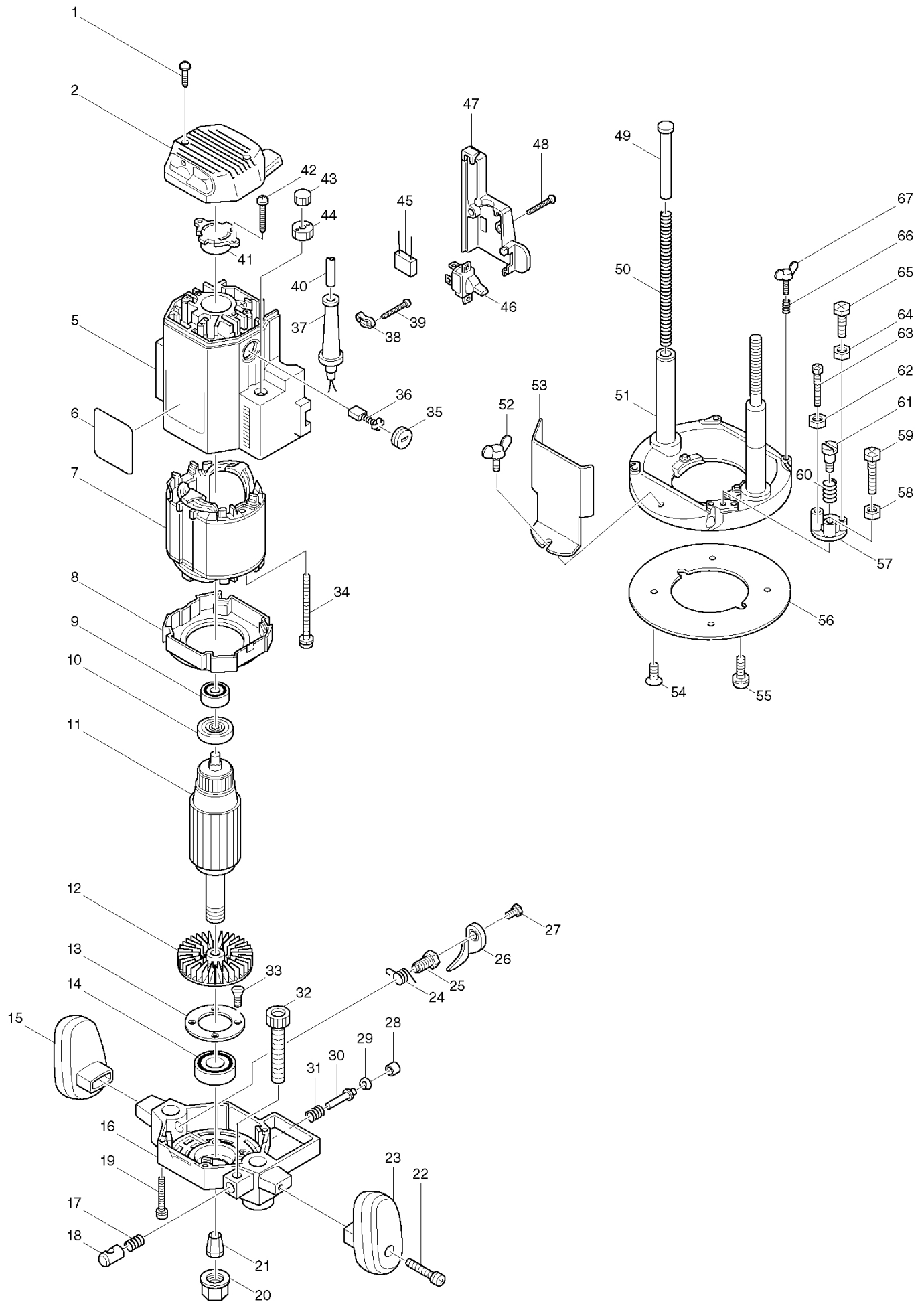


# Partdrawing for 3612 - 1/2" Plunge Router



No.	Part no.	Name
57	134205-1	STOPPER ASSY 3612BR
51	151407-4	BASE COMPLETE 3612C
16	152567-5	MOTOR BRACKET COMPLETE 3612C/3
5	159730-1	MOTOR HOUSING COMPLETE 3612
36	191953-5	CARBON BRUSH CB-203 3612C/2414
9	211092-6	BALL BEARING 629DDW BO5031/361
14	211326-7	BALL BEARING 2012DDW/3612
31	231037-8	COMPRESSION SPRING 7
60	231231-2	COMPRESSION SPRING 12 3600B
66	231240-1	*COMPRESSION SPRING 7 10PK
50	231329-5	COMPRESSION SPRING 11 3612BR
24	231618-8	TORSION SPRING 15 3612C
61	251423-7	SLOTTED HD SHOULDER BOLT M6
32	251861-3	KNURL THUMB SETSCREW M10X78
43	252625-8	WING NUT M10 3612BR
30	256606-4	PIN 6 9600
25	266015-9	SET BOLT M10 3612C
1	266021-4	TAPPING SCREW 5X20
13	285657-0	BEARING RETAINER 50 3612BR/RP1
28	286235-9	CAP 11 3612BR
49	314062-5	POLE 3600B
41	316499-2	BEARING BOX 3612C
18	323559-3	HALF NUT 3600B/3612
26	344097-2	LOCK LEVER 3612C
53	410128-0	CHIP DEFLECTOR 3612BR
44	410129-8	NYLON NUT M10 RP1100C/3612BR
56	413063-1	BASE PLATE 3612C
8	415069-5	BAFFLE PLATE 3612C/3612
15	415070-0	KNOB (L) 3612C/3612
23	415407-1	KNOB (R) 3612C
47	415409-7	COVER 3612C
2	415450-0	REAR COVER 3612
11	516586-9	ARMATURE ASSY 110V 3612
11	516589-3	ARMATURE ASSY 240V 3612
7	636056-3	FIELD 110V 3612
7	636059-7	FIELD 240V 3612
35	643700-5	BRUSH HOLDER CAP 7-18 HM1304
45	645200-1	NOISE SUPPRESSOR HP1641/LC1230
45	645253-0	NOISE SUPPRESSOR 110V
46	651430-4	SWITCH RP1801/3612C
10	681633-6	INSULATION WASHER 5903R/3612/2
37	682505-8	CORD GUARD 10-90 GA5020/GA5021
37	682540-6	CORD GUARD MT852/9049/2414
38	687052-4	STRAIN RELIEF BO5041/KP0810
38	687053-2	STRAIN RELIEF 110V KP0810C/
40	692527-0	LEAD WIRE HP1641/TD0101F/KP081
40	695217-4	POWER SUPPLY CORD 1.5-2-2.5
21	763622-4	Collet cones, Nuts and Sleeves - Cone

20	763629-0	Collet cones, Nuts and Sleeves - Nut
6	851516-6	NAME PLATE 3612
19	911263-2	*PAN HDSCREW M5X40 W/CP 10PK
22	911368-8	PAN HEAD SCREW M6X45
34	911944-8	*PAN HD SCREW M5X80 W/CP 5PK
17	231142-1	*COMPRESSION SPRING 10 10PK
65	265333-2	*HEX HD SCRWE M5X16 3620 5PK
59	265335-8	*HEX HD SCREW M5X28 5PK
39	265995-6	*PT SCREW 4X18 10PK KP0810C
42	265995-6	*PT SCREW 4X18 10PK KP0810C
48	265995-6	*PT SCREW 4X18 10PK KP0810C
27	265269-5	*HEX HD SCREW M5X12 3600B 5PK
12	241878-4	FAN 83
33	251295-0	*C/SUNK HEAD SCREW M4X14 5PK
63	265336-6	*HEX HD SCREW M5X40 5PK
67	924216-2	*WING SCREW M5X15 5PK
58	931202-6	*HEX FULL NUT M5 10PK
62	931202-6	*HEX FULL NUT M5 10PK
64	931202-6	*HEX FULL NUT M5 10PK
54	912112-6	*COUNTERSUNK SCREW M4X10 10PK
52	924206-5	*WING SCREW M5X10 N1923BDD 5PK
29	962062-5	*INTERNAL INVERTED RING-12 10P